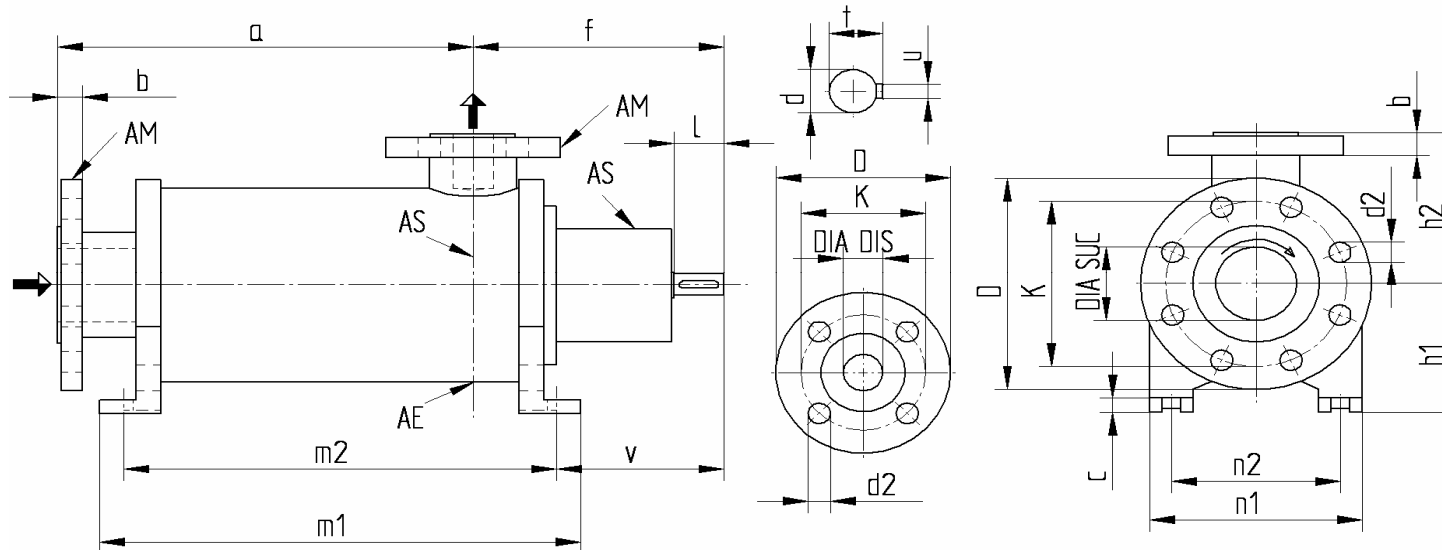


Data Sheet No.

50.03. 04/06. US.Z

Dimensional Outline Drawing

Model SRZS



Connections

| | | |
|----|-----------|-------|
| AS | R1/4" NPT | Flush |
| AM | R1/4" NPT | Gauge |
| AE | R1/4" NPT | Drain |

| ANSI | D | k | b | d2 | n |
|------|------|------|------|------|---|
| 0.79 | 4.13 | 3.25 | 0.71 | 0.75 | 4 |
| 1.26 | 5.51 | 3.88 | 0.71 | 0.75 | 4 |
| 1.57 | 5.91 | 4.50 | 0.71 | 0.88 | 4 |
| 1.97 | 6.50 | 5.00 | 0.79 | 0.75 | 8 |
| 2.56 | 7.28 | 5.88 | 0.79 | 0.88 | 8 |
| 3.15 | 7.87 | 6.62 | 0.98 | 0.88 | 8 |
| 3.94 | 9.25 | 7.88 | 1.06 | 0.88 | 8 |

Suction and Discharge Flanges are per DIN spec (PN 40 DIN 2501). Flanges can be drilled per ANSI 300 lb bolt pattern, except for SRZS 110-series.

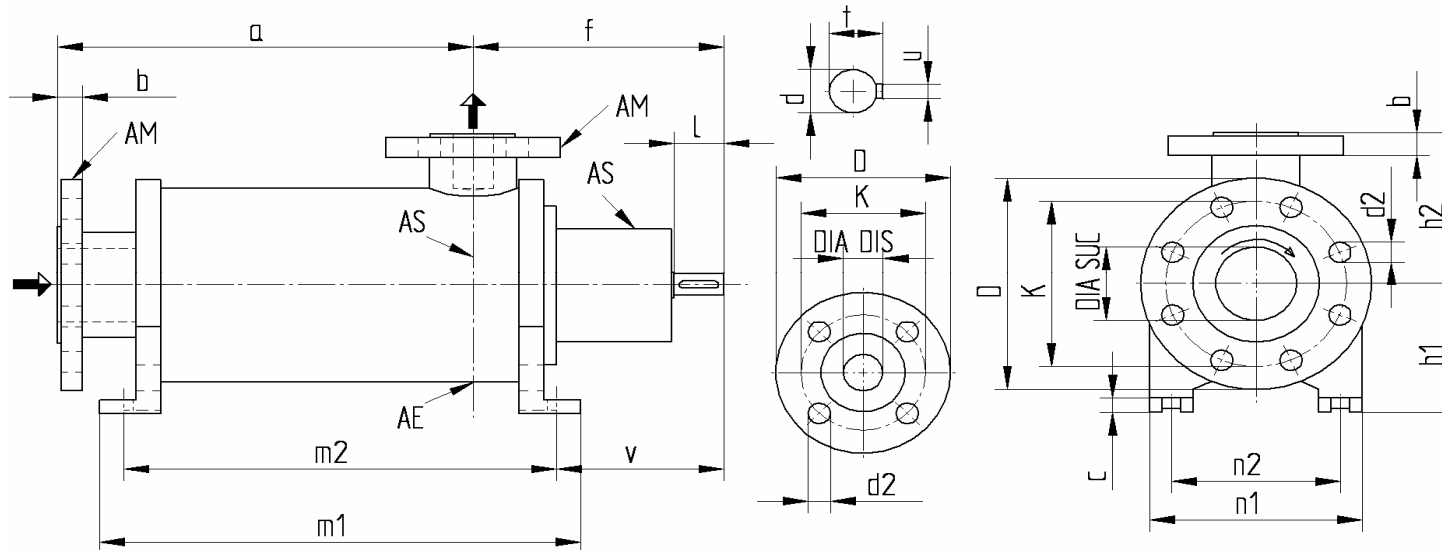
| Size | Weight | Suction | Discharge | a | m1 | m2 | c | f | h1 | h2 | n1 | n2 | v | d | l | t | u |
|------|--------|---------|-----------|-------|-------|-------|------|------|------|------|------|------|------|------|------|------|------|
| | lbs | DIA | DIA | | | | | | | | | | | | | | |
| 111 | 35 | 1.57 | 0.79 | 7.68 | 9.37 | 8.03 | 0.39 | 6.73 | 3.94 | 3.94 | 5.51 | 4.13 | 4.45 | 0.55 | 0.98 | 0.63 | 0.20 |
| 112 | 40 | 1.57 | 0.79 | 9.02 | 10.71 | 9.37 | 0.39 | 6.73 | 3.94 | 3.94 | 5.51 | 4.13 | 4.45 | 0.55 | 0.98 | 0.63 | 0.20 |
| 113 | 44 | 1.57 | 0.79 | 10.35 | 12.05 | 10.71 | 0.39 | 6.73 | 3.94 | 3.94 | 5.51 | 4.13 | 4.45 | 0.55 | 0.98 | 0.63 | 0.20 |
| 114 | 49 | 1.57 | 0.79 | 11.69 | 13.39 | 12.05 | 0.39 | 6.73 | 3.94 | 3.94 | 5.51 | 4.13 | 4.45 | 0.55 | 0.98 | 0.63 | 0.20 |
| 115 | 53 | 1.57 | 0.79 | 13.03 | 14.72 | 13.39 | 0.39 | 6.73 | 3.94 | 3.94 | 5.51 | 4.13 | 4.45 | 0.55 | 0.98 | 0.63 | 0.20 |
| 116 | 57 | 1.57 | 0.79 | 14.37 | 16.06 | 14.72 | 0.39 | 6.73 | 3.94 | 3.94 | 5.51 | 4.13 | 4.45 | 0.55 | 0.98 | 0.63 | 0.20 |
| 117 | 57 | 1.57 | 0.79 | 15.71 | 17.40 | 16.06 | 0.39 | 6.73 | 3.94 | 3.94 | 5.51 | 4.13 | 4.45 | 0.55 | 0.98 | 0.63 | 0.20 |
| 118 | 66 | 1.57 | 0.79 | 17.05 | 18.74 | 17.40 | 0.39 | 6.73 | 3.94 | 3.94 | 5.51 | 4.13 | 4.45 | 0.55 | 0.98 | 0.63 | 0.20 |
| 221 | 66 | 2.56 | 1.26 | 8.39 | 10.35 | 8.94 | 0.51 | 7.91 | 4.41 | 5.20 | 6.69 | 5.31 | 5.28 | 0.75 | 1.57 | 0.84 | 0.24 |
| 222 | 73 | 2.56 | 1.26 | 9.96 | 11.93 | 10.51 | 0.51 | 7.91 | 4.41 | 5.20 | 6.69 | 5.31 | 5.28 | 0.75 | 1.57 | 0.84 | 0.24 |
| 223 | 79 | 2.56 | 1.26 | 11.54 | 13.50 | 12.09 | 0.51 | 7.91 | 4.41 | 5.20 | 6.69 | 5.31 | 5.28 | 0.75 | 1.57 | 0.84 | 0.24 |
| 224 | 86 | 2.56 | 1.26 | 13.11 | 15.08 | 13.66 | 0.51 | 7.91 | 4.41 | 5.20 | 6.69 | 5.31 | 5.28 | 0.75 | 1.57 | 0.84 | 0.24 |
| 225 | 93 | 2.56 | 1.26 | 14.69 | 16.65 | 15.24 | 0.51 | 7.91 | 4.41 | 5.20 | 6.69 | 5.31 | 5.28 | 0.75 | 1.57 | 0.84 | 0.24 |
| 226 | 99 | 2.56 | 1.26 | 16.26 | 18.23 | 16.81 | 0.51 | 7.91 | 4.41 | 5.20 | 6.69 | 5.31 | 5.28 | 0.75 | 1.57 | 0.84 | 0.24 |
| 227 | 106 | 2.56 | 1.26 | 17.83 | 19.80 | 18.39 | 0.51 | 7.91 | 4.41 | 5.20 | 6.69 | 5.31 | 5.28 | 0.75 | 1.57 | 0.84 | 0.24 |
| 228 | 112 | 2.56 | 1.26 | 19.41 | 21.38 | 19.96 | 0.51 | 7.91 | 4.41 | 5.20 | 6.69 | 5.31 | 5.28 | 0.75 | 1.57 | 0.84 | 0.24 |
| 331 | 66 | 2.56 | 1.26 | 8.39 | 10.35 | 8.94 | 0.51 | 7.91 | 4.41 | 5.20 | 6.69 | 5.31 | 5.28 | 0.75 | 1.57 | 0.84 | 0.24 |
| 332 | 73 | 2.56 | 1.26 | 9.96 | 11.93 | 10.51 | 0.51 | 7.91 | 4.41 | 5.20 | 6.69 | 5.31 | 5.28 | 0.75 | 1.57 | 0.84 | 0.24 |
| 333 | 79 | 2.56 | 1.26 | 11.54 | 13.50 | 12.09 | 0.51 | 7.91 | 4.41 | 5.20 | 6.69 | 5.31 | 5.28 | 0.75 | 1.57 | 0.84 | 0.24 |
| 334 | 86 | 2.56 | 1.26 | 13.11 | 15.08 | 13.66 | 0.51 | 7.91 | 4.41 | 5.20 | 6.69 | 5.31 | 5.28 | 0.75 | 1.57 | 0.84 | 0.24 |

Data Sheet No.

50.03. 04/06. US.Z

Dimensional Outline Drawing

Model SRZS



Connections

| | | |
|----|-----------|-------|
| AS | R1/4" NPT | Flush |
| AM | R1/4" NPT | Gauge |
| AE | R1/4" NPT | Drain |

| ANSI | D | k | b | d2 | n |
|------|------|------|------|------|---|
| 0.79 | 4.13 | 3.25 | 0.71 | 0.75 | 4 |
| 1.26 | 5.51 | 3.88 | 0.71 | 0.75 | 4 |
| 1.57 | 5.91 | 4.50 | 0.71 | 0.88 | 4 |
| 1.97 | 6.50 | 5.00 | 0.79 | 0.75 | 8 |
| 2.56 | 7.28 | 5.88 | 0.79 | 0.88 | 8 |
| 3.15 | 7.87 | 6.62 | 0.98 | 0.88 | 8 |
| 3.94 | 9.25 | 7.88 | 1.06 | 0.88 | 8 |

Suction and Discharge Flanges are per DIN spec (PN 40 DIN 2501). Flanges can be drilled per ANSI 300 lb bolt pattern, except for SRZS 110-series.

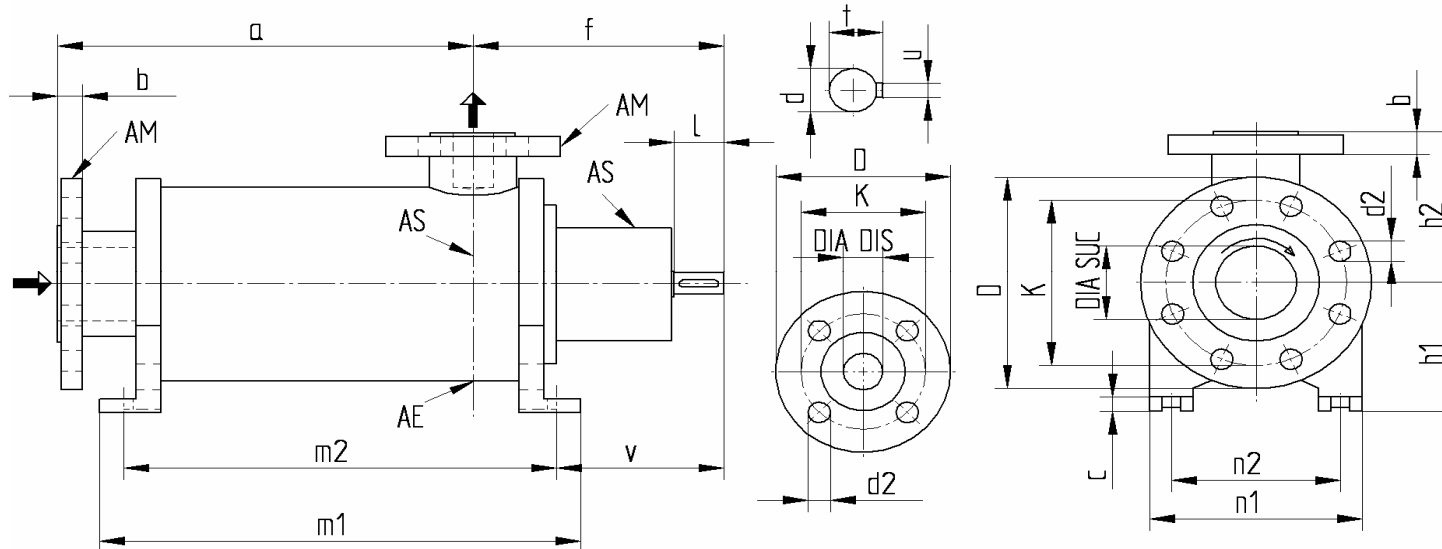
| Size | Weight | Suction | Discharge | a | m1 | m2 | c | f | h1 | h2 | n1 | n2 | v | d | l | t | u |
|------|--------|---------|-----------|-------|-------|-------|------|------|------|------|------|------|------|------|------|------|------|
| | lbs | DIA | DIA | | | | | | | | | | | | | | |
| 335 | 93 | 2.56 | 1.26 | 14.69 | 16.65 | 15.24 | 0.51 | 7.91 | 4.41 | 5.20 | 6.69 | 5.31 | 5.28 | 0.75 | 1.57 | 0.84 | 0.24 |
| 336 | 99 | 2.56 | 1.26 | 16.26 | 18.23 | 16.81 | 0.51 | 7.91 | 4.41 | 5.20 | 6.69 | 5.31 | 5.28 | 0.75 | 1.57 | 0.84 | 0.24 |
| 337 | 106 | 2.56 | 1.26 | 17.83 | 19.80 | 18.39 | 0.51 | 7.91 | 4.41 | 5.20 | 6.69 | 5.31 | 5.28 | 0.75 | 1.57 | 0.84 | 0.24 |
| 338 | 112 | 2.56 | 1.26 | 19.41 | 21.38 | 19.96 | 0.51 | 7.91 | 4.41 | 5.20 | 6.69 | 5.31 | 5.28 | 0.75 | 1.57 | 0.84 | 0.24 |
| 441 | 79 | 3.15 | 1.57 | 10.55 | 11.42 | 10.20 | 0.59 | 7.68 | 5.20 | 5.51 | 7.68 | 6.10 | 5.59 | 0.94 | 1.77 | 1.06 | 0.31 |
| 442 | 93 | 3.15 | 1.57 | 12.72 | 13.58 | 12.36 | 0.59 | 7.68 | 5.20 | 5.51 | 7.68 | 6.10 | 5.59 | 0.94 | 1.77 | 1.06 | 0.31 |
| 443 | 106 | 3.15 | 1.57 | 14.88 | 15.75 | 14.53 | 0.59 | 7.68 | 5.20 | 5.51 | 7.68 | 6.10 | 5.59 | 0.94 | 1.77 | 1.06 | 0.31 |
| 444 | 119 | 3.15 | 1.57 | 17.05 | 17.91 | 16.69 | 0.59 | 7.68 | 5.20 | 5.51 | 7.68 | 6.10 | 5.59 | 0.94 | 1.77 | 1.06 | 0.31 |
| 445 | 132 | 3.15 | 1.57 | 19.21 | 20.08 | 18.86 | 0.59 | 7.68 | 5.20 | 5.51 | 7.68 | 6.10 | 5.59 | 0.94 | 1.77 | 1.06 | 0.31 |
| 446 | 146 | 3.15 | 1.57 | 21.38 | 22.24 | 21.02 | 0.59 | 7.68 | 5.20 | 5.51 | 7.68 | 6.10 | 5.59 | 0.94 | 1.77 | 1.06 | 0.31 |
| 447 | 159 | 3.15 | 1.57 | 23.54 | 24.41 | 23.19 | 0.59 | 7.68 | 5.20 | 5.51 | 7.68 | 6.10 | 5.59 | 0.94 | 1.77 | 1.06 | 0.31 |
| 448 | 172 | 3.15 | 1.57 | 25.71 | 26.57 | 25.35 | 0.59 | 7.68 | 5.20 | 5.51 | 7.68 | 6.10 | 5.59 | 0.94 | 1.77 | 1.06 | 0.31 |
| 551 | 130 | 3.94 | 1.97 | 12.01 | 13.78 | 12.32 | 0.71 | 9.33 | 6.30 | 6.50 | 8.46 | 6.69 | 6.26 | 1.10 | 1.97 | 1.22 | 0.39 |
| 552 | 152 | 3.94 | 1.97 | 14.96 | 16.73 | 15.28 | 0.71 | 9.33 | 6.30 | 6.50 | 8.46 | 6.69 | 6.26 | 1.10 | 1.97 | 1.22 | 0.39 |
| 553 | 174 | 3.94 | 1.97 | 17.91 | 19.69 | 18.23 | 0.71 | 9.33 | 6.30 | 6.50 | 8.46 | 6.69 | 6.26 | 1.10 | 1.97 | 1.22 | 0.39 |
| 554 | 196 | 3.94 | 1.97 | 20.87 | 22.64 | 21.18 | 0.71 | 9.33 | 6.30 | 6.50 | 8.46 | 6.69 | 6.26 | 1.10 | 1.97 | 1.22 | 0.39 |
| 555 | 218 | 3.94 | 1.97 | 23.82 | 25.59 | 24.13 | 0.71 | 9.33 | 6.30 | 6.50 | 8.46 | 6.69 | 6.26 | 1.10 | 1.97 | 1.22 | 0.39 |
| 556 | 240 | 3.94 | 1.97 | 26.77 | 28.54 | 27.09 | 0.71 | 9.33 | 6.30 | 6.50 | 8.46 | 6.69 | 6.26 | 1.10 | 1.97 | 1.22 | 0.39 |
| 557 | 262 | 3.94 | 1.97 | 29.72 | 31.50 | 30.04 | 0.71 | 9.33 | 6.30 | 6.50 | 8.46 | 6.69 | 6.26 | 1.10 | 1.97 | 1.22 | 0.39 |

Data Sheet No.

50.03. 04/06. US.Z

Dimensional Outline Drawing

Model SRZS



Connections

| | | |
|----|-----------|-------|
| AS | R1/4" NPT | Flush |
| AM | R1/4" NPT | Gauge |
| AE | R1/4" NPT | Drain |

| ANSI | D | k | b | d2 | n |
|------|------|------|------|------|---|
| 0.79 | 4.13 | 3.25 | 0.71 | 0.75 | 4 |
| 1.26 | 5.51 | 3.88 | 0.71 | 0.75 | 4 |
| 1.57 | 5.91 | 4.50 | 0.71 | 0.88 | 4 |
| 1.97 | 6.50 | 5.00 | 0.79 | 0.75 | 8 |
| 2.56 | 7.28 | 5.88 | 0.79 | 0.88 | 8 |
| 3.15 | 7.87 | 6.62 | 0.98 | 0.88 | 8 |
| 3.94 | 9.25 | 7.88 | 1.06 | 0.88 | 8 |

Suction and Discharge Flanges are per DIN spec (PN 40 DIN 2501). Flanges can be drilled per ANSI 300 lb bolt pattern, except for SRZS 110-series.

| Size | Weight lbs | Suction DIA | Discharge DIA | | | | | | | | | | | | | | |
|------|---------------|----------------|------------------|-------|-------|-------|------|-------|------|------|------|------|------|------|------|------|------|
| | | | | a | m1 | m2 | c | f | h1 | h2 | n1 | n2 | v | d | l | t | u |
| 558 | 284 | 3.94 | 1.97 | 32.68 | 34.45 | 32.99 | 0.71 | 9.33 | 6.30 | 6.50 | 8.46 | 6.69 | 6.26 | 1.10 | 1.97 | 1.22 | 0.39 |
| 661 | 176 | 3.94 | 2.56 | 13.31 | 15.39 | 13.90 | 0.79 | 10.31 | 7.09 | 7.09 | 9.65 | 7.68 | 6.77 | 1.26 | 2.56 | 1.39 | 0.39 |
| 662 | 203 | 3.94 | 2.56 | 16.85 | 18.94 | 17.44 | 0.79 | 10.31 | 7.09 | 7.09 | 9.65 | 7.68 | 6.77 | 1.26 | 2.56 | 1.39 | 0.39 |
| 663 | 231 | 3.94 | 2.56 | 20.39 | 22.48 | 20.98 | 0.79 | 10.31 | 7.09 | 7.09 | 9.65 | 7.68 | 6.77 | 1.26 | 2.56 | 1.39 | 0.39 |
| 664 | 258 | 3.94 | 2.56 | 23.94 | 26.02 | 24.53 | 0.79 | 10.31 | 7.09 | 7.09 | 9.65 | 7.68 | 6.77 | 1.26 | 2.56 | 1.39 | 0.39 |
| 665 | 287 | 3.94 | 2.56 | 27.48 | 29.57 | 28.07 | 0.79 | 10.31 | 7.09 | 7.09 | 9.65 | 7.68 | 6.77 | 1.26 | 2.56 | 1.39 | 0.39 |
| 666 | 313 | 3.94 | 2.56 | 31.02 | 33.11 | 31.61 | 0.79 | 10.31 | 7.09 | 7.09 | 9.65 | 7.68 | 6.77 | 1.26 | 2.56 | 1.39 | 0.39 |
| 667 | 342 | 3.94 | 2.56 | 34.57 | 36.65 | 35.16 | 0.79 | 10.31 | 7.09 | 7.09 | 9.65 | 7.68 | 6.77 | 1.26 | 2.56 | 1.39 | 0.39 |
| 668 | 368 | 3.94 | 2.56 | 38.11 | 40.20 | 38.70 | 0.79 | 10.31 | 7.09 | 7.09 | 9.65 | 7.68 | 6.77 | 1.26 | 2.56 | 1.39 | 0.39 |