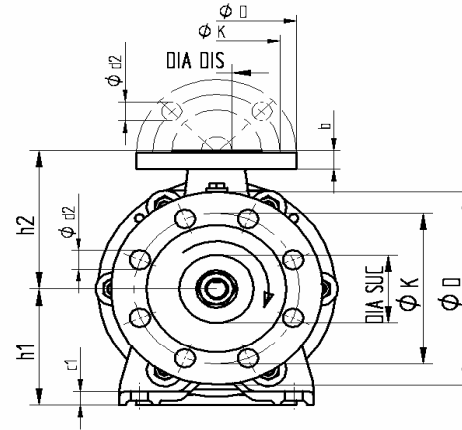
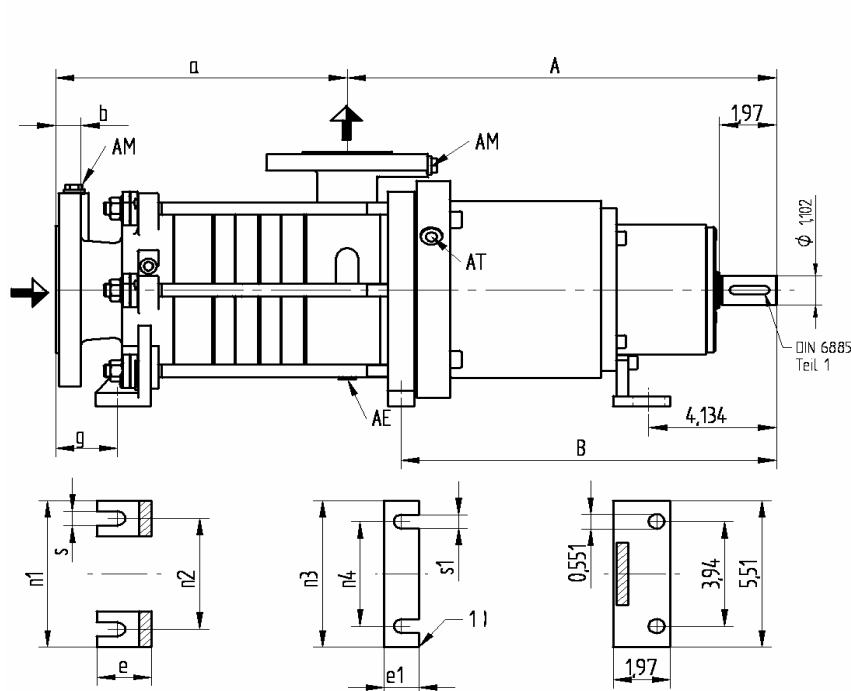


data sheet no.  
50.09. 04/06. US.Z

Dimensional Outline Drawing

model SEMA-S



Connections

AS	R1/4" NPT	Flush
AM	R1/4" NPT	Gauge
AE	R1/4" NPT	Drain

ANSI	D	k	b	d2	n
0.79	4.13	3.25	0.71	0.75	4
1.26	5.51	3.88	0.71	0.75	4
1.57	5.91	4.50	0.71	0.88	4
1.97	6.50	5.00	0.79	0.75	8
2.56	7.28	5.88	0.79	0.88	8
3.15	7.87	6.62	0.98	0.88	8
3.94	9.25	7.88	1.06	0.88	8

1) For pump containing four to eight stages, a middle foot is required

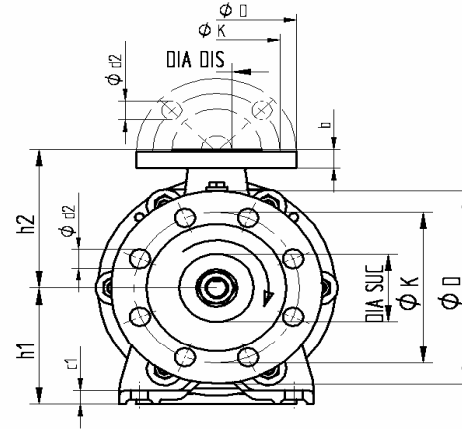
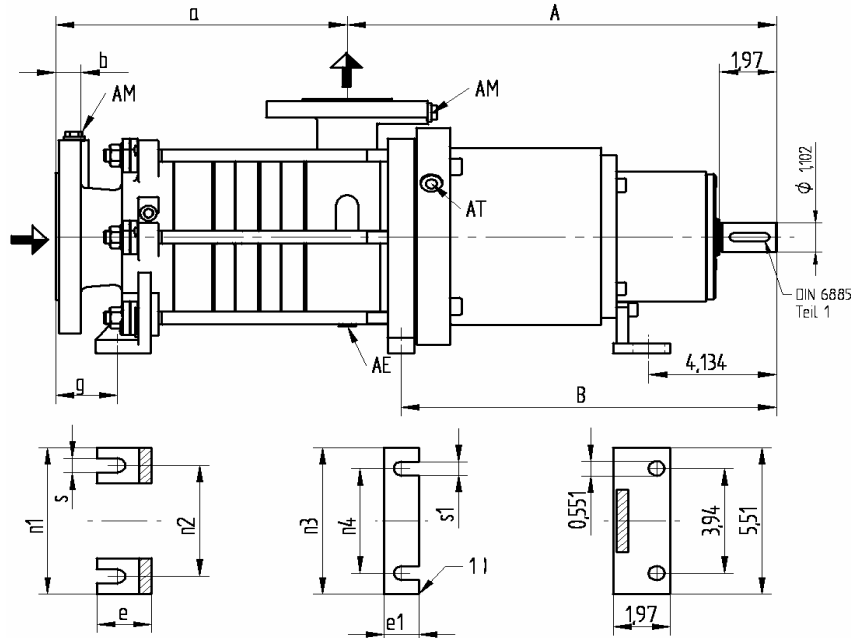
Suction and Discharge Flanges are per DIN spec (PN 40 DIN 2501). Flanges can be drilled per ANSI 300 lb bolt pattern, except for SEMA 110-series.

Pump Size	MAK Size	Flanges		Weight [lbs]	Pump-dimensions					Foot-dimensions					Foot-dimensions / 4-8 stages				
		Suction	Discharge		A	a	g	h1	h2	c1	n1	n2	e	s	B	n3	n4	e1	s1
		DIA suc	DIA dis																
111	-75	1.57	0.79	99	14.33	7.68	1.93	3.94	3.94	0.39	5.51	4.13	1.73	0.51					
112	-75	1.57	0.79	104	14.33	9.02	1.93	3.94	3.94	0.39	5.51	4.13	1.73	0.51					
113	-75	1.57	0.79	108	14.33	10.35	1.93	3.94	3.94	0.39	5.51	4.13	1.73	0.51					
114	-75	1.57	0.79	112	14.33	11.69	1.93	3.94	3.94	0.39	5.51	4.13	1.73	0.51	12.60	6.69	5.51	1.18	0.51
115	-75	1.57	0.79	117	14.33	13.03	1.93	3.94	3.94	0.39	5.51	4.13	1.73	0.51	12.60	6.69	5.51	1.18	0.51
116	-75	1.57	0.79	121	14.33	14.37	1.93	3.94	3.94	0.39	5.51	4.13	1.73	0.51	12.60	6.69	5.51	1.18	0.51
117	-75	1.57	0.79	126	14.33	15.71	1.93	3.94	3.94	0.39	5.51	4.13	1.73	0.51	12.60	6.69	5.51	1.18	0.51
118	-75	1.57	0.79	130	14.33	17.05	1.93	3.94	3.94	0.39	5.51	4.13	1.73	0.51	12.60	6.69	5.51	1.18	0.51
221	-75	2.56	1.26	121	13.98	8.39	2.09	4.41	5.20	0.51	6.69	5.31	1.89	0.55					
222	-75	2.56	1.26	132	13.98	9.96	2.09	4.41	5.20	0.51	6.69	5.31	1.89	0.55					
223	-75	2.56	1.26	143	13.98	11.54	2.09	4.41	5.20	0.51	6.69	5.31	1.89	0.55					
224	-75	2.56	1.26	154	13.98	13.11	2.09	4.41	5.20	0.51	6.69	5.31	1.89	0.55	12.48	7.87	6.69	0.79	0.51
225	-75	2.56	1.26	165	13.98	14.69	2.09	4.41	5.20	0.51	6.69	5.31	1.89	0.55	12.48	7.87	6.69	0.79	0.51
226	-75	2.56	1.26	176	13.98	16.26	2.09	4.41	5.20	0.51	6.69	5.31	1.89	0.55	12.48	7.87	6.69	0.79	0.51

data sheet no.  
50.09. 04/06. US.Z

Dimensional Outline Drawing

model SEMA-S



Connections

AS	R1/4" NPT	Flush
AM	R1/4" NPT	Gauge
AE	R1/4" NPT	Drain

ANSI	D	k	b	d2	n
0.79	4.13	3.25	0.71	0.75	4
1.26	5.51	3.88	0.71	0.75	4
1.57	5.91	4.50	0.71	0.88	4
1.97	6.50	5.00	0.79	0.75	8
2.56	7.28	5.88	0.79	0.88	8
3.15	7.87	6.62	0.98	0.88	8
3.94	9.25	7.88	1.06	0.88	8

1) For pump containing four to eight stages, a middle foot is required

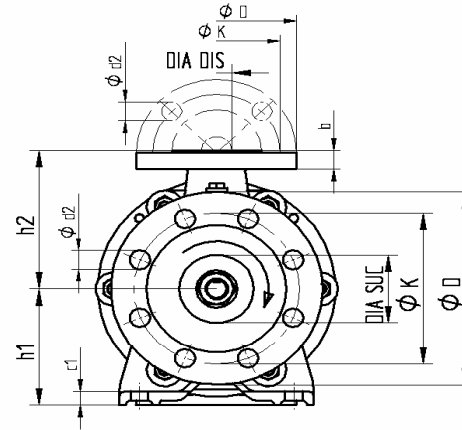
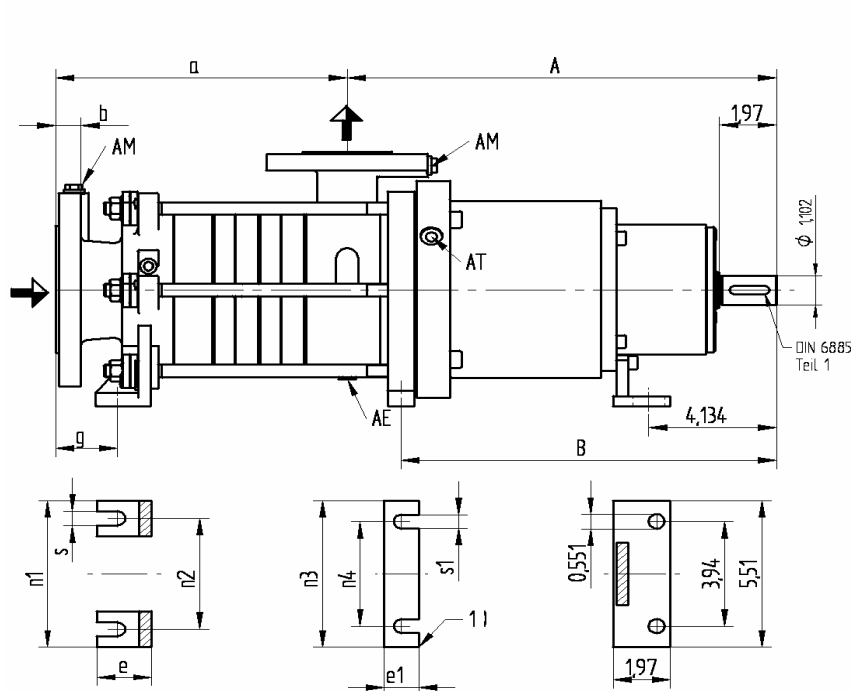
Suction and Discharge Flanges are per DIN spec (PN 40 DIN 2501). Flanges can be drilled per ANSI 300 lb bolt pattern, except for SEMA 110-series.

Pump Size	MAK Size	Flanges		Weight [lbs]	Pump-dimensions					Foot-dimensions					Foot-dimensions / 4-8 stages				
		Suction	Discharge		A	a	g	h1	h2	c1	n1	n2	e	s	B	n3	n4	e1	s1
		DIA suc	DIA dis																
227	-75	2.56	1.26	187	13.98	17.83	2.09	4.41	5.20	0.51	6.69	5.31	1.89	0.55	12.48	7.87	6.69	0.79	0.51
228	-75	2.56	1.26	198	13.98	19.41	2.09	4.41	5.20	0.51	6.69	5.31	1.89	0.55	12.48	7.87	6.69	0.79	0.51
221	-110	2.56	1.26	121	14.76	8.39	2.09	4.41	5.20	0.51	6.69	5.31	1.89	0.55					
222	-110	2.56	1.26	132	14.76	9.96	2.09	4.41	5.20	0.51	6.69	5.31	1.89	0.55					
223	-110	2.56	1.26	143	14.76	11.54	2.09	4.41	5.20	0.51	6.69	5.31	1.89	0.55					
224	-110	2.56	1.26	154	14.76	13.11	2.09	4.41	5.20	0.51	6.69	5.31	1.89	0.55	12.99	7.87	6.69	0.79	0.51
225	-110	2.56	1.26	165	14.76	14.69	2.09	4.41	5.20	0.51	6.69	5.31	1.89	0.55	12.99	7.87	6.69	0.79	0.51
226	-110	2.56	1.26	176	14.76	16.26	2.09	4.41	5.20	0.51	6.69	5.31	1.89	0.55	12.99	7.87	6.69	0.79	0.51
227	-110	2.56	1.26	187	14.76	17.83	2.09	4.41	5.20	0.51	6.69	5.31	1.89	0.55	12.99	7.87	6.69	0.79	0.51
228	-110	2.56	1.26	198	14.76	19.41	2.09	4.41	5.20	0.51	6.69	5.31	1.89	0.55	12.99	7.87	6.69	0.79	0.51
331	-75	2.56	1.26	121	13.98	8.39	2.09	4.41	5.20	0.51	6.69	5.31	1.89	0.55					
332	-75	2.56	1.26	132	13.98	9.96	2.09	4.41	5.20	0.51	6.69	5.31	1.89	0.55					
333	-75	2.56	1.26	143	13.98	11.54	2.09	4.41	5.20	0.51	6.69	5.31	1.89	0.55					
334	-75	2.56	1.26	154	13.98	13.11	2.09	4.41	5.20	0.51	6.69	5.31	1.89	0.55	12.48	7.87	6.69	0.79	0.51

data sheet no.  
50.09. 04/06. US.Z

Dimensional Outline Drawing

model SEMA-S



Connections

AS	R1/4" NPT	Flush
AM	R1/4" NPT	Gauge
AE	R1/4" NPT	Drain

ANSI	D	k	b	d2	n
0.79	4.13	3.25	0.71	0.75	4
1.26	5.51	3.88	0.71	0.75	4
1.57	5.91	4.50	0.71	0.88	4
1.97	6.50	5.00	0.79	0.75	8
2.56	7.28	5.88	0.79	0.88	8
3.15	7.87	6.62	0.98	0.88	8
3.94	9.25	7.88	1.06	0.88	8

1) For pump containing four to eight stages, a middle foot is required

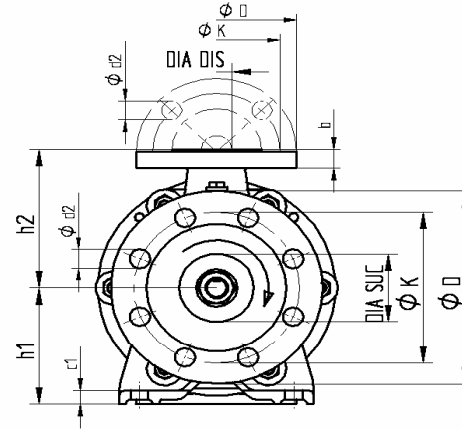
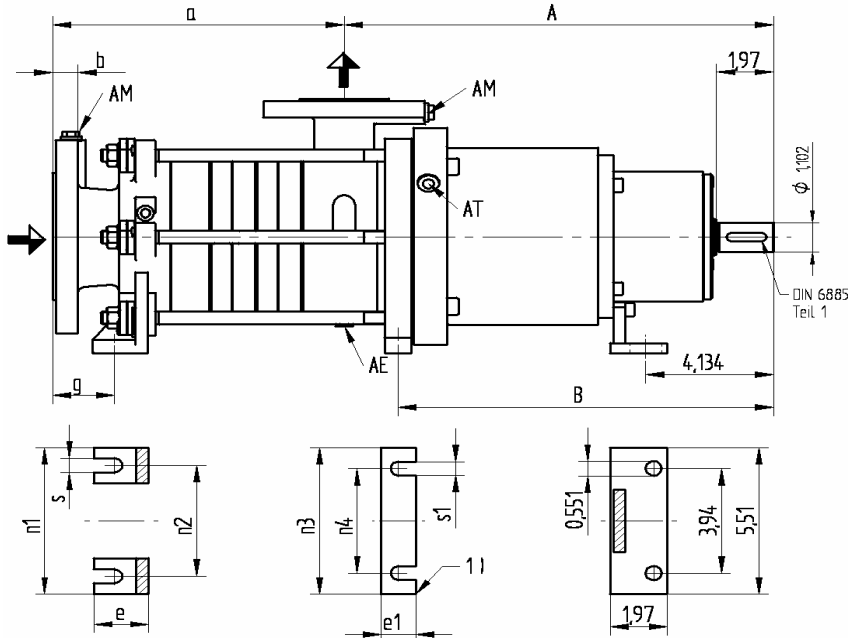
Suction and Discharge Flanges are per DIN spec (PN 40 DIN 2501). Flanges can be drilled per ANSI 300 lb bolt pattern, except for SEMA 110-series.

Pump Size	MAK Size	Flanges		Weight [lbs]	Pump-dimensions					Foot-dimensions					Foot-dimensions / 4-8 stages				
		Suction	Discharge		A	a	g	h1	h2	c1	n1	n2	e	s	B	n3	n4	e1	s1
		DIA suc	DIA dis																
335	-75	2.56	1.26	165	13.98	14.69	2.09	4.41	5.20	0.51	6.69	5.31	1.89	0.55	12.48	7.87	6.69	0.79	0.51
336	-75	2.56	1.26	176	13.98	16.26	2.09	4.41	5.20	0.51	6.69	5.31	1.89	0.55	12.48	7.87	6.69	0.79	0.51
337	-75	2.56	1.26	187	13.98	17.83	2.09	4.41	5.20	0.51	6.69	5.31	1.89	0.55	12.48	7.87	6.69	0.79	0.51
338	-75	2.56	1.26	198	13.98	19.41	2.09	4.41	5.20	0.51	6.69	5.31	1.89	0.55	12.48	7.87	6.69	0.79	0.51
331	-110	2.56	1.26	121	14.76	8.39	2.09	4.41	5.20	0.51	6.69	5.31	1.89	0.55					
332	-110	2.56	1.26	132	14.76	9.96	2.09	4.41	5.20	0.51	6.69	5.31	1.89	0.55					
333	-110	2.56	1.26	143	14.76	11.54	2.09	4.41	5.20	0.51	6.69	5.31	1.89	0.55					
334	-110	2.56	1.26	154	14.76	13.11	2.09	4.41	5.20	0.51	6.69	5.31	1.89	0.55					
335	-110	2.56	1.26	165	14.76	14.69	2.09	4.41	5.20	0.51	6.69	5.31	1.89	0.55					
336	-110	2.56	1.26	176	14.76	16.26	2.09	4.41	5.20	0.51	6.69	5.31	1.89	0.55	12.99	7.87	6.69	0.79	0.51
337	-110	2.56	1.26	187	14.76	17.83	2.09	4.41	5.20	0.51	6.69	5.31	1.89	0.55	12.99	7.87	6.69	0.79	0.51
338	-110	2.56	1.26	198	14.76	19.41	2.09	4.41	5.20	0.51	6.69	5.31	1.89	0.55	12.99	7.87	6.69	0.79	0.51
441	-110	3.15	1.57	165	14.09	10.55	2.48	5.20	5.51	0.59	7.68	6.10	2.17	0.59					
442	-110	3.15	1.57	176	14.09	12.72	2.48	5.20	5.51	0.59	7.68	6.10	2.17	0.59					

data sheet no.  
50.09. 04/06. US.Z

Dimensional Outline Drawing

model SEMA-S



Connections

AS	R1/4" NPT	Flush
AM	R1/4" NPT	Gauge
AE	R1/4" NPT	Drain

ANSI	D	k	b	d2	n
0.79	4.13	3.25	0.71	0.75	4
1.26	5.51	3.88	0.71	0.75	4
1.57	5.91	4.50	0.71	0.88	4
1.97	6.50	5.00	0.79	0.75	8
2.56	7.28	5.88	0.79	0.88	8
3.15	7.87	6.62	0.98	0.88	8
3.94	9.25	7.88	1.06	0.88	8

1) For pump containing four to eight stages, a middle foot is required

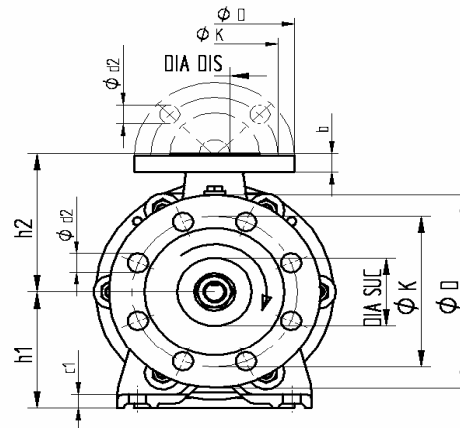
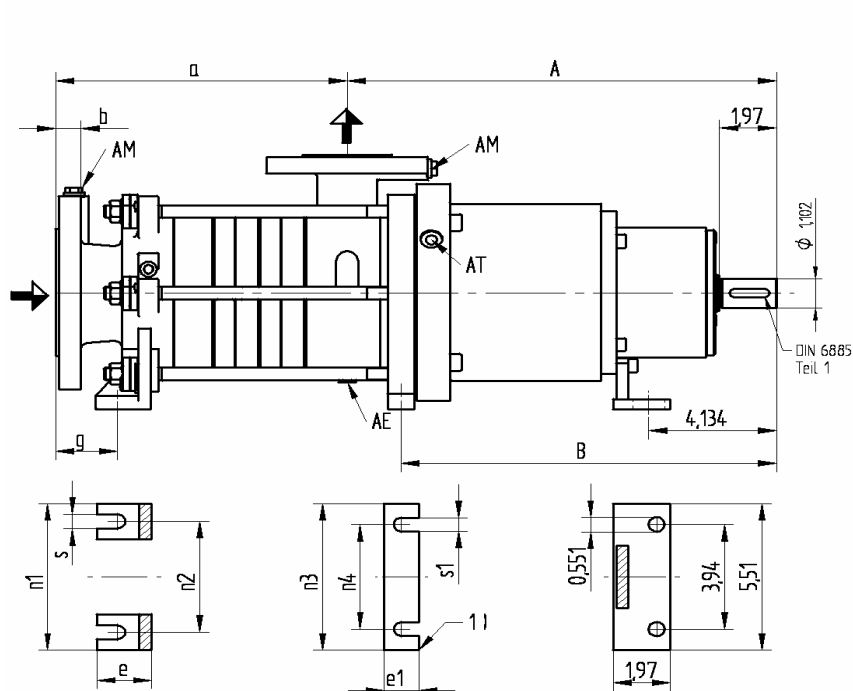
Suction and Discharge Flanges are per DIN spec (PN 40 DIN 2501). Flanges can be drilled per ANSI 300 lb bolt pattern, except for SEMA 110-series.

Pump Size	MAK Size	Flanges		Weight [lbs]	Pump-dimensions					Foot-dimensions					Foot-dimensions / 4-8 stages				
		Suction	Discharge		A	a	g	h1	h2	c1	n1	n2	e	s	B	n3	n4	e1	s1
		DIA suc	DIA dis																
443	-110	3.15	1.57	187	14.09	14.88	2.48	5.20	5.51	0.59	7.68	6.10	2.17	0.59					
444	-110	3.15	1.57	198	14.09	17.05	2.48	5.20	5.51	0.59	7.68	6.10	2.17	0.59	13.03	7.87	6.69	1.18	0.59
445	-110	3.15	1.57	209	14.09	19.21	2.48	5.20	5.51	0.59	7.68	6.10	2.17	0.59	13.03	7.87	6.69	1.18	0.59
446	-110	3.15	1.57	220	14.09	21.38	2.48	5.20	5.51	0.59	7.68	6.10	2.17	0.59	13.03	7.87	6.69	1.18	0.59
447	-110	3.15	1.57	231	14.09	23.54	2.48	5.20	5.51	0.59	7.68	6.10	2.17	0.59	13.03	7.87	6.69	1.18	0.59
448	-110	3.15	1.57	243	14.09	25.71	2.48	5.20	5.51	0.59	7.68	6.10	2.17	0.59	13.03	7.87	6.69	1.18	0.59
441	-135	3.15	1.57	165	15.16	10.55	2.48	5.20	5.51	0.59	7.68	6.10	2.17	0.59					
442	-135	3.15	1.57	176	15.16	12.72	2.48	5.20	5.51	0.59	7.68	6.10	2.17	0.59					
443	-135	3.15	1.57	187	15.16	14.88	2.48	5.20	5.51	0.59	7.68	6.10	2.17	0.59					
444	-135	3.15	1.57	198	15.16	17.05	2.48	5.20	5.51	0.59	7.68	6.10	2.17	0.59	13.82	7.87	6.69	1.18	0.59
445	-135	3.15	1.57	209	15.16	19.21	2.48	5.20	5.51	0.59	7.68	6.10	2.17	0.59	13.82	7.87	6.69	1.18	0.59
446	-135	3.15	1.57	220	15.16	21.38	2.48	5.20	5.51	0.59	7.68	6.10	2.17	0.59	13.82	7.87	6.69	1.18	0.59
447	-135	3.15	1.57	231	15.16	23.54	2.48	5.20	5.51	0.59	7.68	6.10	2.17	0.59	13.82	7.87	6.69	1.18	0.59
448	-135	3.15	1.57	243	15.16	25.71	2.48	5.20	5.51	0.59	7.68	6.10	2.17	0.59	13.82	7.87	6.69	1.18	0.59

data sheet no.  
50.09. 04/06. US.Z

Dimensional Outline Drawing

model SEMA-S



Connections

AS	R1/4" NPT	Flush
AM	R1/4" NPT	Gauge
AE	R1/4" NPT	Drain

ANSI	D	k	b	d2	n
0.79	4.13	3.25	0.71	0.75	4
1.26	5.51	3.88	0.71	0.75	4
1.57	5.91	4.50	0.71	0.88	4
1.97	6.50	5.00	0.79	0.75	8
2.56	7.28	5.88	0.79	0.88	8
3.15	7.87	6.62	0.98	0.88	8
3.94	9.25	7.88	1.06	0.88	8

1) For pump containing four to eight stages, a middle foot is required

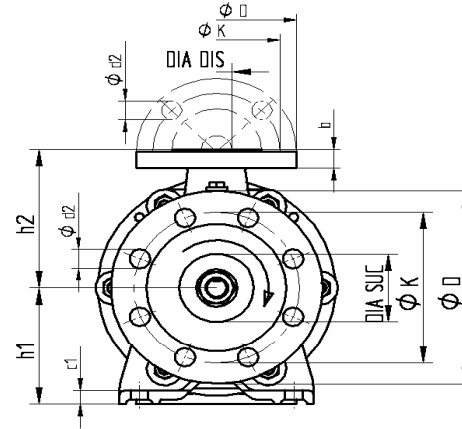
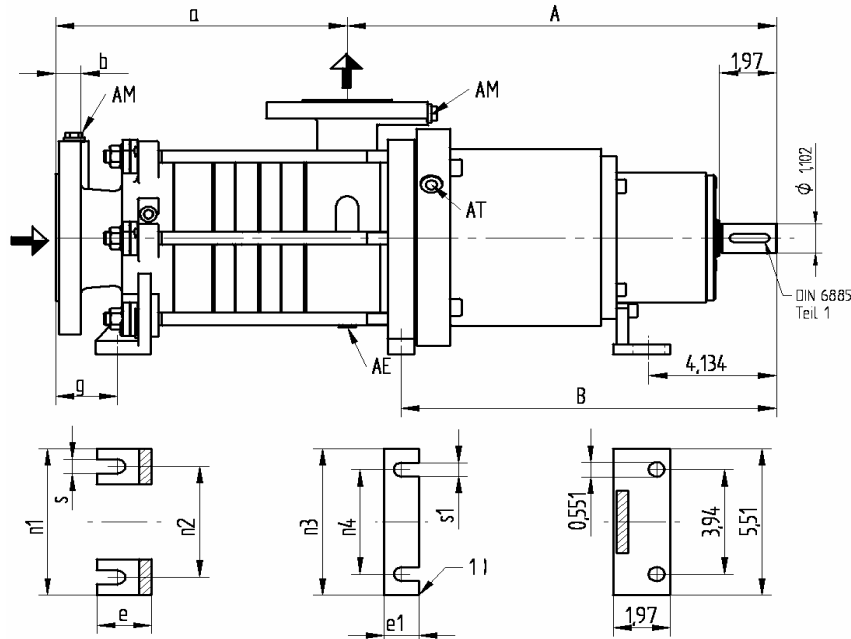
Suction and Discharge Flanges are per DIN spec (PN 40 DIN 2501). Flanges can be drilled per ANSI 300 lb bolt pattern, except for SEMA 110-series.

Pump Size	MAK Size	Flanges		Weight [lbs]	Pump-dimensions					Foot-dimensions					Foot-dimensions / 4-8 stages				
		Suction	Discharge		A	a	g	h1	h2	c1	n1	n2	e	s	B	n3	n4	e1	s1
		DIA suc	DIA dis																
551	-110	3.94	1.97	185	14.57	12.01	2.83	6.30	6.50	0.63	8.66	6.89	2.13	0.59					
552	-110	3.94	1.97	196	14.57	14.96	2.83	6.30	6.50	0.63	8.66	6.89	2.13	0.59					
553	-110	3.94	1.97	207	14.57	17.91	2.83	6.30	6.50	0.63	8.66	6.89	2.13	0.59	13.03	7.87	6.69	1.18	0.59
554	-110	3.94	1.97	218	14.57	20.87	2.83	6.30	6.50	0.63	8.66	6.89	2.13	0.59	13.03	7.87	6.69	1.18	0.59
555	-110	3.94	1.97	229	14.57	23.82	2.83	6.30	6.50	0.63	8.66	6.89	2.13	0.59	13.03	7.87	6.69	1.18	0.59
556	-110	3.94	1.97	240	14.57	26.77	2.83	6.30	6.50	0.63	8.66	6.89	2.13	0.59	13.03	7.87	6.69	1.18	0.59
557	-110	3.94	1.97	251	14.57	29.72	2.83	6.30	6.50	0.63	8.66	6.89	2.13	0.59	13.03	7.87	6.69	1.18	0.59
558	-110	3.94	1.97	262	14.57	32.68	2.83	6.30	6.50	0.63	8.66	6.89	2.13	0.59	13.03	7.87	6.69	1.18	0.59
551	-135	3.94	1.97	185	15.35	12.01	2.83	6.30	6.50	0.63	8.66	6.89	2.13	0.59					
552	-135	3.94	1.97	203	15.35	14.96	2.83	6.30	6.50	0.63	8.66	6.89	2.13	0.59					
553	-135	3.94	1.97	220	15.35	17.91	2.83	6.30	6.50	0.63	8.66	6.89	2.13	0.59	13.82	7.87	6.69	1.18	0.59
554	-135	3.94	1.97	238	15.35	20.87	2.83	6.30	6.50	0.63	8.66	6.89	2.13	0.59	13.82	7.87	6.69	1.18	0.59
555	-135	3.94	1.97	256	15.35	23.82	2.83	6.30	6.50	0.63	8.66	6.89	2.13	0.59	13.82	7.87	6.69	1.18	0.59
556	-135	3.94	1.97	273	15.35	26.77	2.83	6.30	6.50	0.63	8.66	6.89	2.13	0.59	13.82	7.87	6.69	1.18	0.59

**data sheet no.**  
50.09. 04/06. US.Z

**Dimensional Outline Drawing**

**model SEMA-S**



**Connections**

<b>AS</b>	R1/4" NPT	Flush
<b>AM</b>	R1/4" NPT	Gauge
<b>AE</b>	R1/4" NPT	Drain

ANSI	D	k	b	d2	n
0.79	4.13	3.25	0.71	0.75	4
1.26	5.51	3.88	0.71	0.75	4
1.57	5.91	4.50	0.71	0.88	4
1.97	6.50	5.00	0.79	0.75	8
2.56	7.28	5.88	0.79	0.88	8
3.15	7.87	6.62	0.98	0.88	8
3.94	9.25	7.88	1.06	0.88	8

**1 ) For pump containing four to eight stages, a middle foot is required**

Suction and Discharge Flanges are per DIN spec (PN 40 DIN 2501). Flanges can be drilled per ANSI 300 lb bolt pattern, except for SEMA 110-series.

Pump Size	MAK Size	Flanges		Weight [lbs]	Pump-dimensions					Foot-dimensions					Foot-dimensions / 4-8 stages				
		Suction	Discharge		A	a	g	h1	h2	c1	n1	n2	e	s	B	n3	n4	e1	s1
		DIA suc	DIA dis																
557	-135	3.94	1.97	291	15.35	29.72	2.83	6.30	6.50	0.63	8.66	6.89	2.13	0.59	13.82	7.87	6.69	1.18	0.59
558	-135	3.94	1.97	309	15.35	32.68	2.83	6.30	6.50	0.63	8.66	6.89	2.13	0.59	13.82	7.87	6.69	1.18	0.59